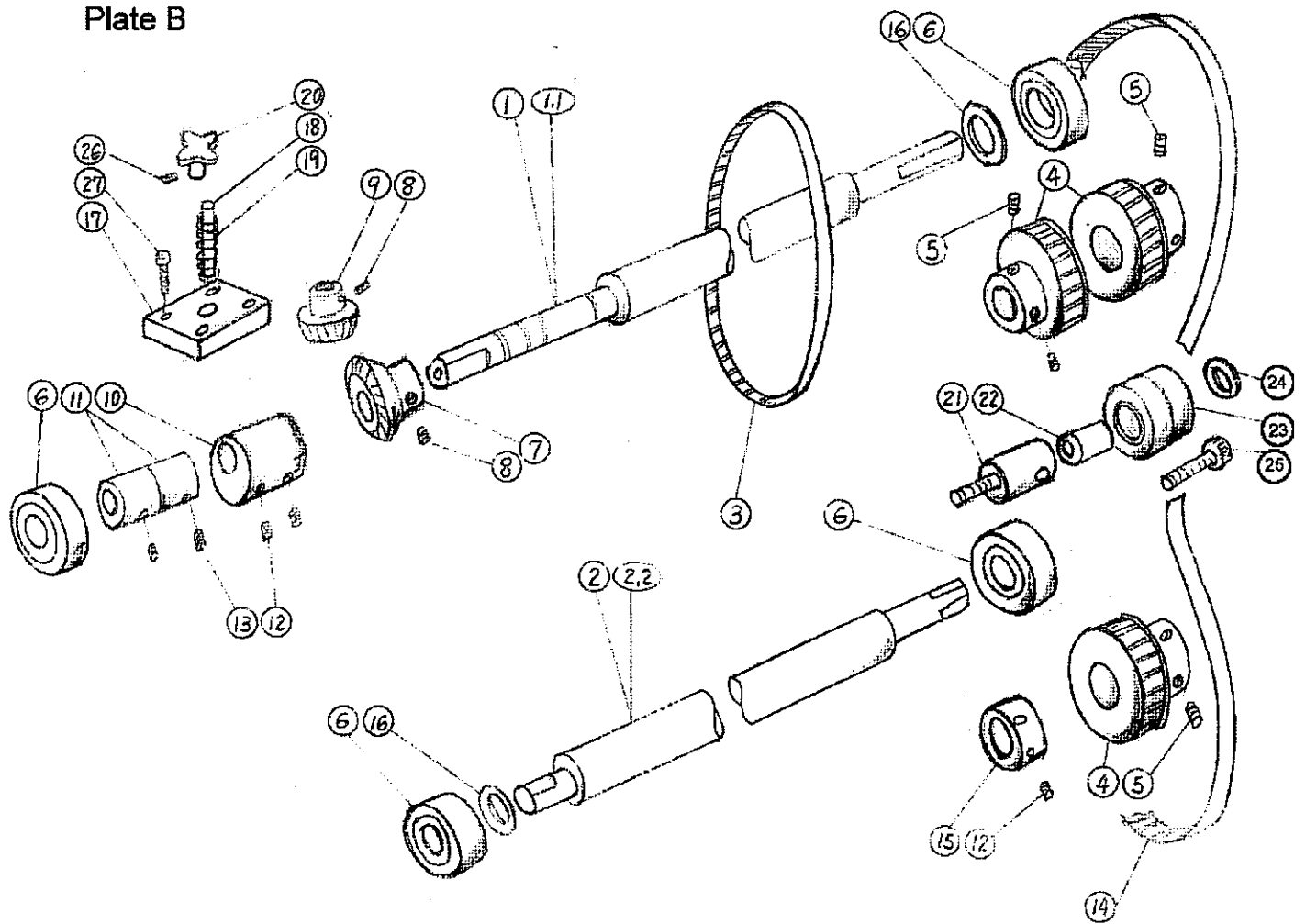


**1018-A00 Innova 18" (Pinky)**

No	Parts No	Description	Amt.	No	Parts No	Description	Amt.
1	1018-A01	Upper Profile 18"	1	20	BB-MR74ZZ	bearing	2
2	1018-A02	Vertical Profile	1	21	1018-A21	Shaft	1
3	1018-A03	Lower Profile 18"	1	22	1018-A22	Bushing	1
4	1018-A04	Backing Plate	1	23	1018-A23	Shaft	1
5	1018-A05	Backing Plate	1	24	1018-A24	Spring	1
6	1018-A06	Sewhead Casting	1	25	SR-4374006	Screw	1
7.1	1018-A071	Lower Corner Casting	1	26	1018-A26	Bushing	1
7.2	1018-A072	Upper Corner Casting	1	27	SC-79418100	Screw 5/16-18UNCX100L	8
8	1018-A08	Base Casting	1	28	SR-3174404	Screw	4
9	SC-7941819	Screw 5/16-18UNCX19L	15	29	SR-4374008	Screw	4
10	1018-A10A	Spacer	(1)	30	1018-A30	Table	1
11	SC-40712	Screw M4X0.7X12L	3	31	1018-A31	Table latch	(2)
12	1018-A12	Ball $\phi$ 6.35	1	32	1018-A32	Shaft	(1)
13	1018-A13	Bolt	1	33	SR-4374006	Screw	1
14	HN-43740	Hex. Nut SM11/64X40	1	34	SD-607506	Screw M6X0.75X6L (26")	2
15	1018-A15	Lever	1	35	SD-4374005	Screw SM11X64X40 (26")	4
16	1018-A16	Pin	1	36	1026-C36A	Bearing 26"	(1)
17	ET-05	Clip E5	1	1.1	1026-A01	Upper profile 26"	1
18	1018-A18	Pin	1	2.1	1026-A02	Vertical profile 26"	1
19	ET-03	Clip E3	3	3.1	1026-A03	Lower Profile 26"	1

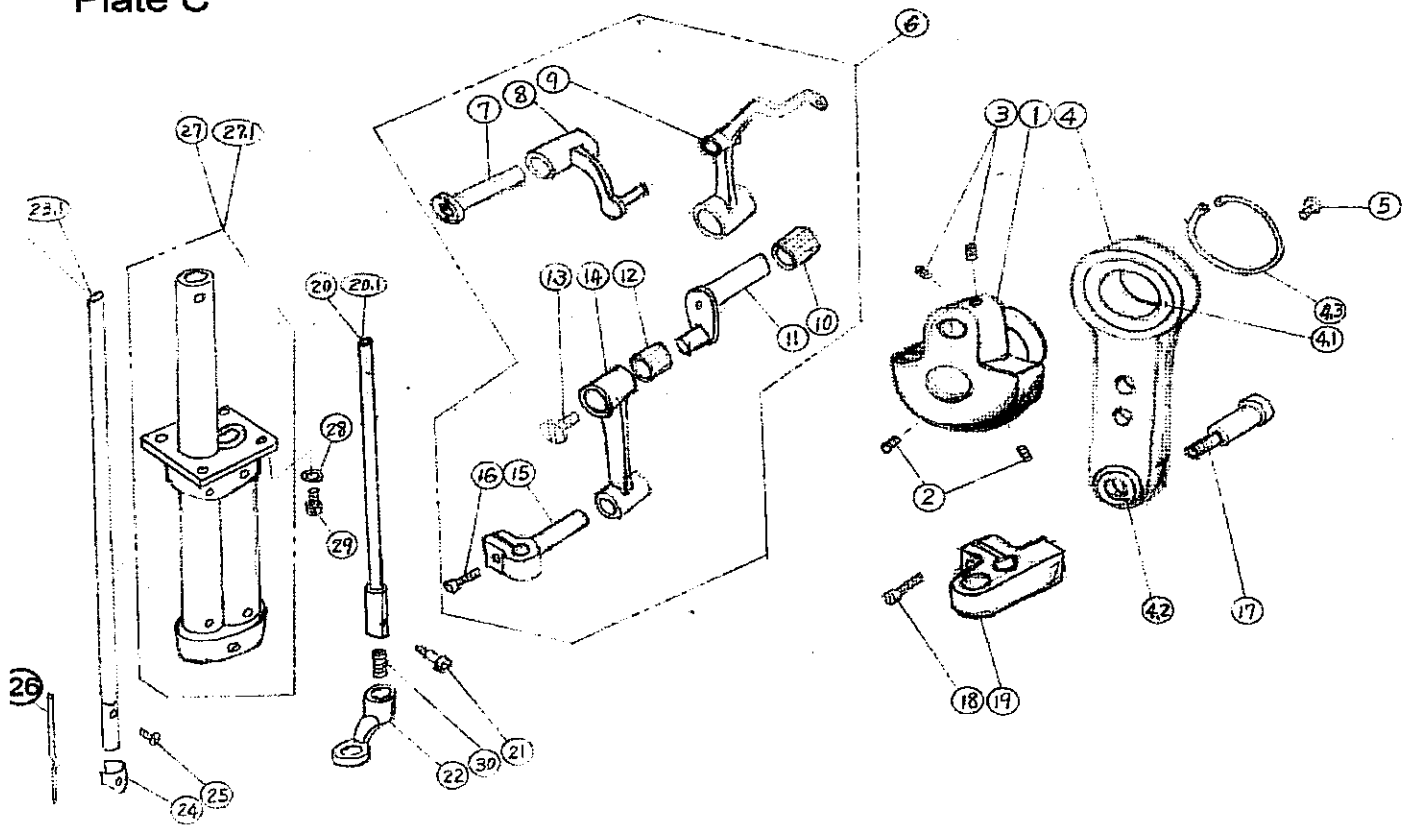
Plate B



1018-B00 Innova 18" (Pinky)

No	Parts No	Description	Amt.	No	Parts No	Description	Amt.
1	1018-B01	Upper Drive Shaft	1	16	WP-1271910	Spacer	1
2	1018-B02	Lower Drive Shaft	1	17	1018-B17	Hand Wheel Plate	1
3	1018-B03	Timing belt	1	18	1018-B18	Pin	1
4	1018-B04	Lower Pulley	4	19	1018-B19	Spring	1
5	SD-4763206	Screw 3/16-32NUF	8	20	1018-B20	Hand Wheel	1
6	BB-R8ZZ	Bearing	1	21	1018-B21	Shaft	1
7	1018-B07	Gear	1	22	1018-B22	Bushing	1
8	SD-6354006	Screw	2	23	BB-R8ZZ	Bearing	2
9	1018-B09	Gear	1	24	WP-081915	Spacer	1
10	1018-B10	Eccentric	1	25	SC-7941865	Screw 5/16-18UNC	1
11	1018-B11	Bushing	2	26	SD-607506	Screw M6X0.75X6L	1
12	SD-607506	Screw M6X0.75X6L	2	27	SC-6352830	Screw 1/4-28UNF	4
13	SD-50805	Screw M5X0.8X5L	2	1.1	1026-B01	Upper Drive Shaft 26"	1
14	1018-B14	Timing belt	1	2.2	1026-B02	Lower Drive Shaft 26"	1
15	1018-B15	Collar	1				

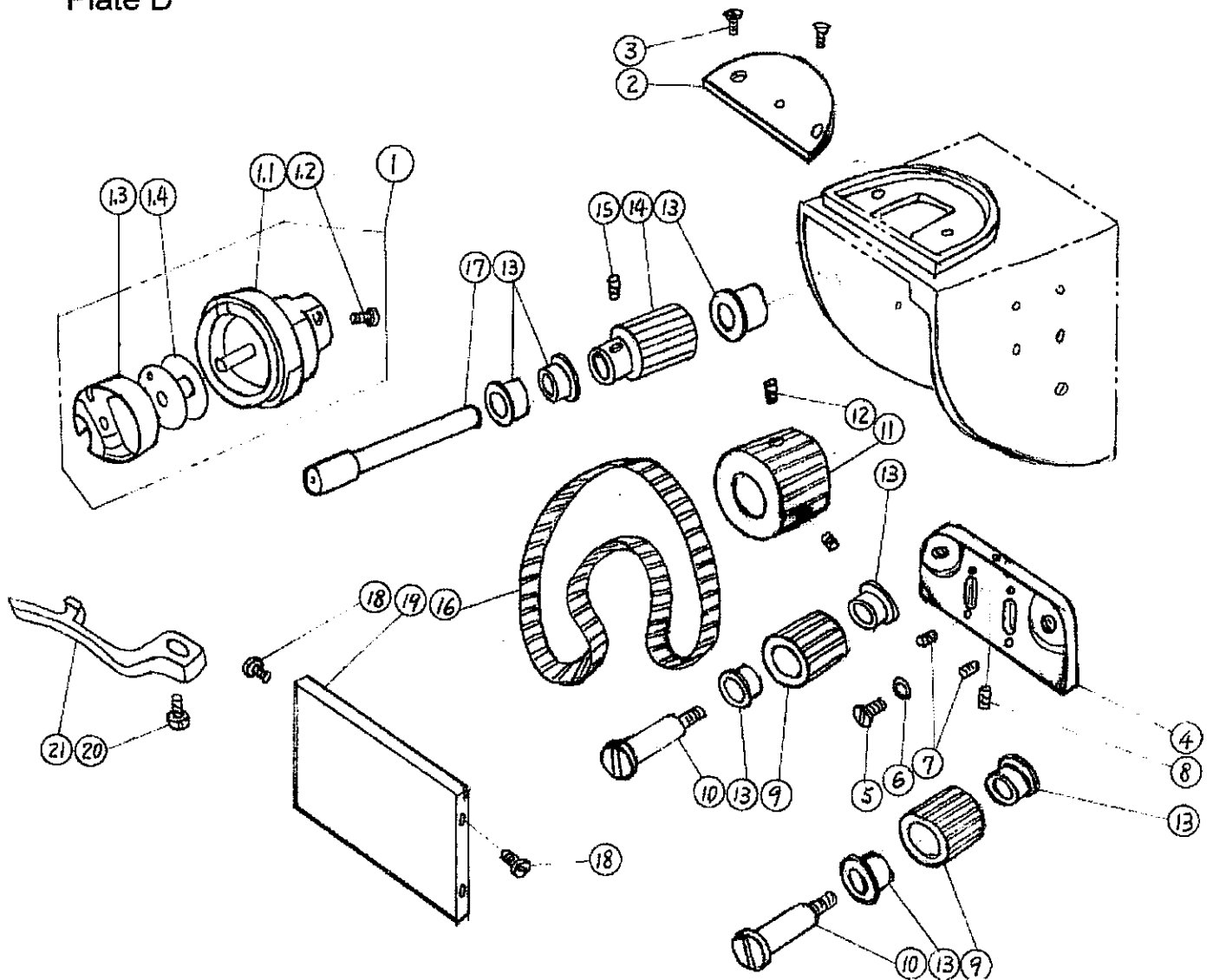
Plate C



1018-C00 Innova 18" (Pinky)

No	Parts No	Description	Amt.	No	Parts No	Description	Amt
1	1018-C01	Counterweight	1	16	SR-3574006	Screw	1
2	SD-607512	Screw M6X0.75	2	17	1018-D10	Presser Bar Pin	1
3	SD-607506	Screw M6X0.75	2	18	SC-40712	Screw M4X0.7X12L	1
4	1018-C04	Crank Rod	(1)	19	1018-C19	Presser Bar Bracket	1
4.1	BB-6805ZZ	Bearing	1	20	1018-C20A	Presser bar	(1)
4.2	BB-FR4ZZ	Bearing	2	21	1018-C21	Screw	1
4.3	CS-25	Clip	1	22	1018-C22	Hopping Foot	1
5	SR-4374007	Screw	1	23	1018-C23A	Needle Bar	(1)
6	1018-C06A	Take Up Assembly	(1)	24	1018-C24	Needle Bar Thread Guide	1
7	1018-C07	Pin	1	25	SR-3174404	Screw	1
8	1018-C08	Pin Lever	1	26	1018-C26	Needle #16 (DPX5)	1
9	1018-C09	Take Up Lever	1	27	1018-C27A	Needle Bar Frame	(1)
10	BN-8128	Bearing	1	28	WP-051008	Washer	4
11	1018-C11	Take Up Crank	1	29	SC-4763212	Screw 3/16-32UNF	4
12	BN-8128	Bearing	1	20.1	1026-C20A	Presser Bar 26"	(1)
13	1018-C13	Screw	1	23.1	1026-C23A	Needle Bar 26"	(1)
14	1018-C14	Take Up Main Body	1	27.1	1026-C27A	Needle Bar Frame 26"	(1)
15	1018-C15	Needle Bar Holder	1				

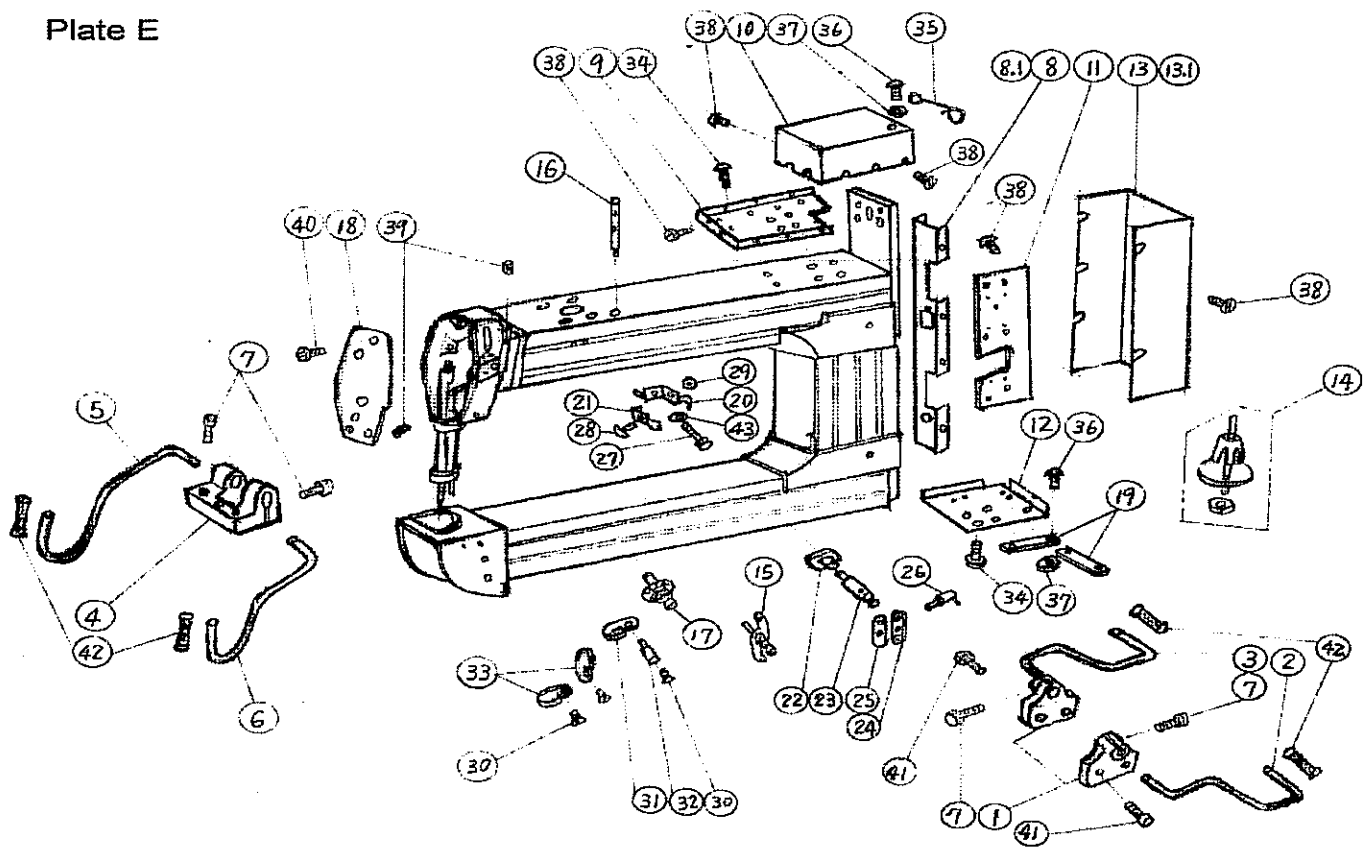
# Plate D



## 1018-D00 Innova 18" (Pinky)

No	Parts No	Description	Amt.	No	Parts No	Description	Amt.
1	1018-D01A	Hook Assembly	1	10	1018-D10	Screw	2
1.1	1018-D011	Rotating Hook(18033C)	1	11	1018-D11	Hook Drive Gear	1
1.2	1018-D012	Screw	1	12	SD-4374005	Screw	2
1.3	1018-D013	Bobbin Case (SC33-LD)	1	13	BB-FR4ZZ	Bearing	7
1.4	1018-D014	Bobbin (18034AL)	1	14	1018-D14	Gear	1
2	1018-D02	Needle Plate	1	15	SD-4374004	Screw	1
3	SJ-4374009	Screw	2	16	1018-D16	Timing Belt	1
4	1018-D04	Backing Plate	1	17	1018-D17	Shaft	1
5	SK-4763210	Screw	2	18	SR-4374008	Screw	4
6	WP-051008	Washer	2	19	1018-D19	Plate	1
7	SD-3574006	Screw	4	20	SR-4374010	Screw	1
8	SD-4763206	Screw	1	21	1018-D21	Position Finger	1
9	1018-D09	Hook Drive Gear	2				

Plate E



1018-E00 Innova 18" (Pinky)

No	Parts No	Description	Amt	No	Parts No	Description	Amt.
1	1018-E01	Handle Bar Support Plate Rear	2	25	1018-E25	Clamp(B)	1
2	1018-E02	(L1) Handle Bar (red)	1	26	1018-E26	Pin	1
3	1018-E03	(R1) Handle Bar (green)	1	27	SC-6352832	Screw 1/4-28UNFX32L	1
4	1018-E04	Handle Bar Support Bracket Front	1	28	SI-7941819	Screw 5/16-18UNCX19L	1
5	1018-E05	(L2) Handle Bar (red)	1	29	HN-79418	Nut 5/16-18UNC	1
6	1018-E06	(R2) Handle Bar (green)	1	30	SJ-3564007	Screw SM9/64X40X7L	3
7	SC-061020	SCREW M6X1X20	20	31	1018-E31	Thread Guide	1
8	1018-E08	PLC Support Bracket	1	32	1018-E32	Screw	1
9	1018-E09	Motor Support Bracket	1	33	1018-E33	Thread Guide	2
10	1018-E10	Motor Cover	1	34	SQ-6352832	Screw 1/4-28UNFX31L	6
11	1018-E11	PLC Support Plate	1	35	1018-E35	Thread Guide	1
12	1018-E12	Lower Support Plate	1	36	SQ-6352816	Screw 1/4-28UNFX16L	2
13	1018-E13	Rear Cover	1	37	HN-63528	Washer 1/4-28UNF	2
14	1018-E14	Thread Stand	1	38	SR-4374008	Screw SM11/64X40X8L	20
15	1018-E15	Thread Guide Assemble	1	39	SD-4763206	Screw 3/16-32UNFX8L	2
16	1018-E16	Thread Guide Pin	1	40	SR-4374010	Screw SM11/64X40X10L	3
17	1018-E17	Tension Complete	1	41	SC-6352832	Screw 1/4-28UNFX32L	4
18	1018-E18	Front Cover	1	42	1018-E42	Grip	4
19	1018-E19	Locking Plate	2	43	WP-081915	Washer	1
20	1018-E20	Bracket(A)	1	8.1	1026-E08	PLC Support Bracket 26"	1
21	1018-E21	Plate (B)	1	13.1	1026-E13	Rear Cover 26"	1
22	1018-E22	Nut	1				
23	1018-E23	Pin	1				
24	1018-E24	Clamp (A)	1				